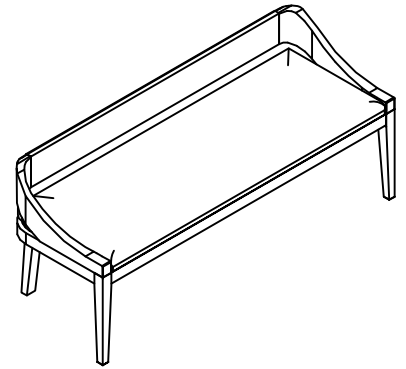


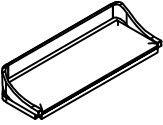


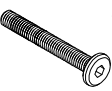



Warning :

- Be sure to check all packing material carefully for small parts, which may have come loose inside the carton during shipment.
- To prevent possible scratches and damage, this furniture must be assembled on a soft surface such as a blanket or carpet.



81053
Uph Dining Bench

Components and Hardware List

| | | | |
|---|---|--|--|
|  <p>Bench Seat 1 pc.</p> |  <p>Back Leg 2 pcs.</p> |  <p>Front Leg 2 pcs.</p> | |
|  <p>Allen Head Bolt Ø5/16"-18 x 2-1/8"</p> |  <p>Spring Washer Ø5/16"xØ13x1.5</p> |  <p>Flat Washer Ø5/16"x Ø19x1.5</p> |  <p>Allen Key M4 x 2-1/2"</p> |

STEP 1

